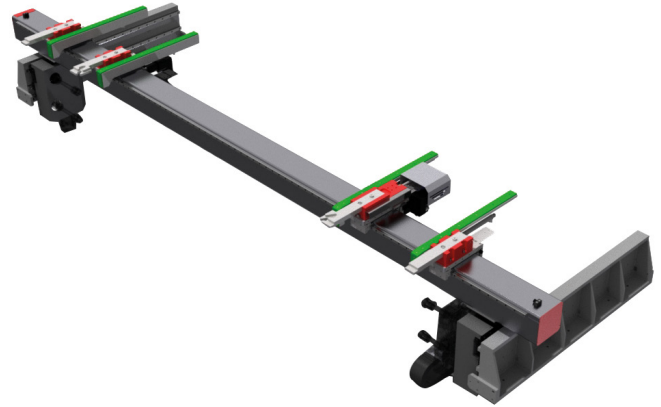


ASSI DISPONIBILI:

XR / XRZZ / XRZZX5 / XRZZX5X6

*Strokes available in the general table,
standard data based on the available axes*



AXE X	
Module	2
Pitch	6,28
N° of teeth	22
Gear	W75
Gear ratio	1:20
Engine ride mm	6,908
Note	/

AXE R	
Module	2
Pitch	6,28
N° of teeth	18
Gear	W75
Gear ratio	1:60
Engine ride mm	1,884
Note	/

AXE Z	
Module	1,5
Pitch	4,71
N° of teeth	18
Gear	VRL - 05
Gear ratio	1:3
Giro motore mm	28,26
Note	/

AXE X5 - X6	
Module	/
Pitch	5
N° of teeth	1
Gear	absent
Gear ratio	1:2
Giro motore mm	2,5
Note	Ball Screw M 16 pitch 5