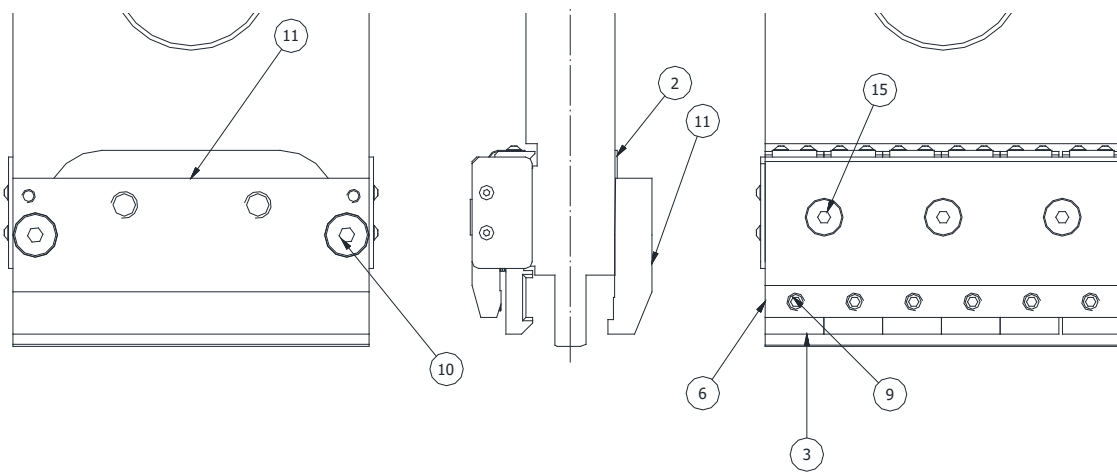


INSTRUCTION MANUAL USE AND SAFETY

Intermediate clamp with front insertion and self-alignment of top tools.



KEYS

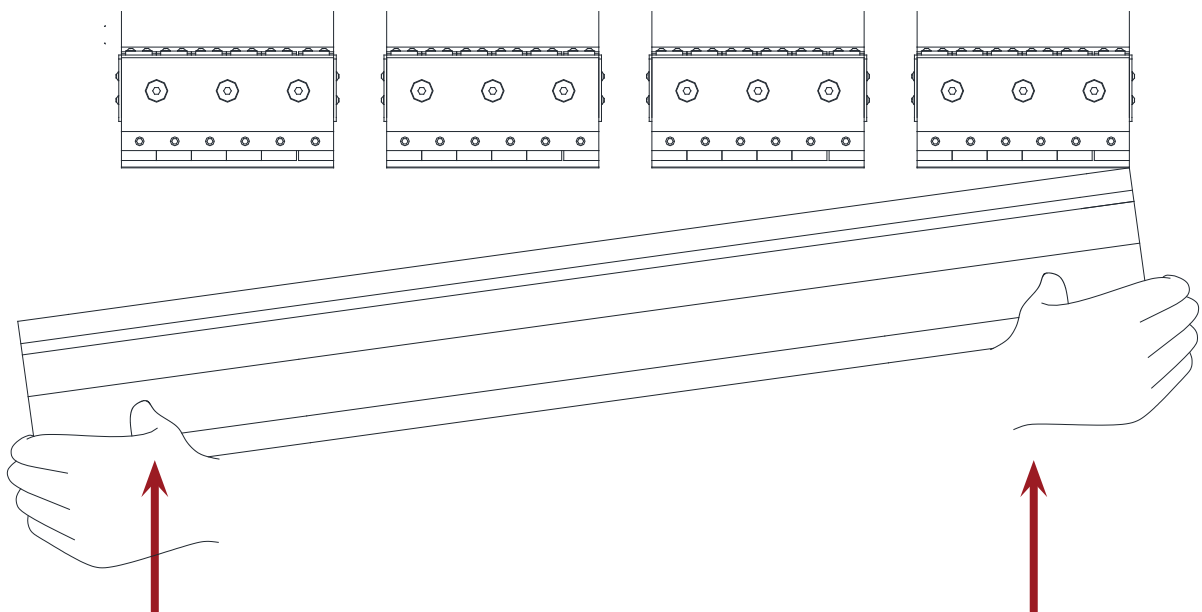
Intermediate PN clamp cylinder	2
Assembly hook tire	3
Intermediate PN clamp front bracket	6
Grain 8x8 TP	9
Intermediate EVA clamp back bracket pin	10
Intermediate pneumatic clamp back bracket	11
Screw type shank 10x45	15

CARATTERISTICHE TECNICHE

Height	110 mm
Breadth	160 mm
Front Insertion	✓
Self-alignment	✓
Pneumatic closure	✓
Heat-treated	✓
Maximum load	100 t/m

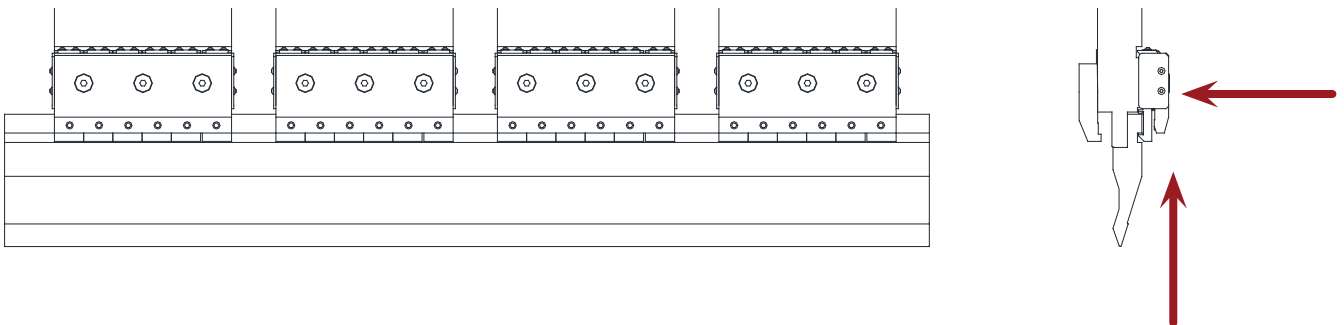
FRONT PUNCH INSERT:

The insertion doesn't required any particular attentions, we recommend to keep the correct security distance. To simplify the long tools insert, we advised to insert the tool in the clamp in the angled way (look the picture). Check if all hooks are perfectly connected in the tool's vee die.



SYSTEMS CLOSURE:

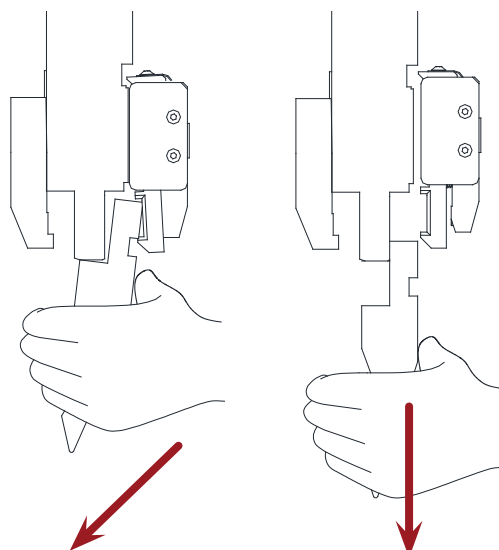
The clamp's closure can be fulfilled through a selector or an electric switch, positioned on the CNC or on the foot pedal command.



FRONT TOOLS EXTRACTION:

The tool can be removed with lateral extraction, or with vertical extraction, thought the posterior bracket releasing.

The correct sequence is indicated in the picture nr. 1 and in the follow points:

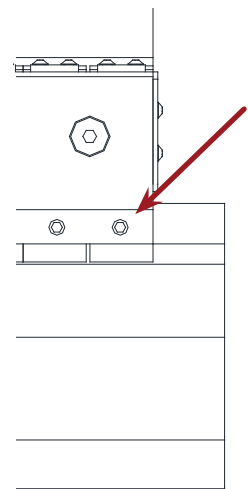


- Push the tools inside to the machine, doing this movement you can noted how the bracket and the punch are releasing from the falling system.
- Fray the tool from the clamp.

APPLICATION OF THE CLOSURE ADJUSTMENTS:

The Eva system clamp has many adjustments on each security hook, to remedy some small tools defects. With different tolerances, small tools defects, this system can lock each hook independently just working on the screw (look the picture).

This operation is useful when the perfect alignment is required.



SECURITY:

For yourself safeguard and personal integrity, is compulsory the protection system using.



PERIODIC MAINTENANCE:

The clamps don't required any kind of maintenance.



SUBJECT: Taking charge instruction manual.

You hereby declare that you have received the complete instruction and safety manual in all its parts, that you have read it in particular of the points concerning safety described in the various chapters.